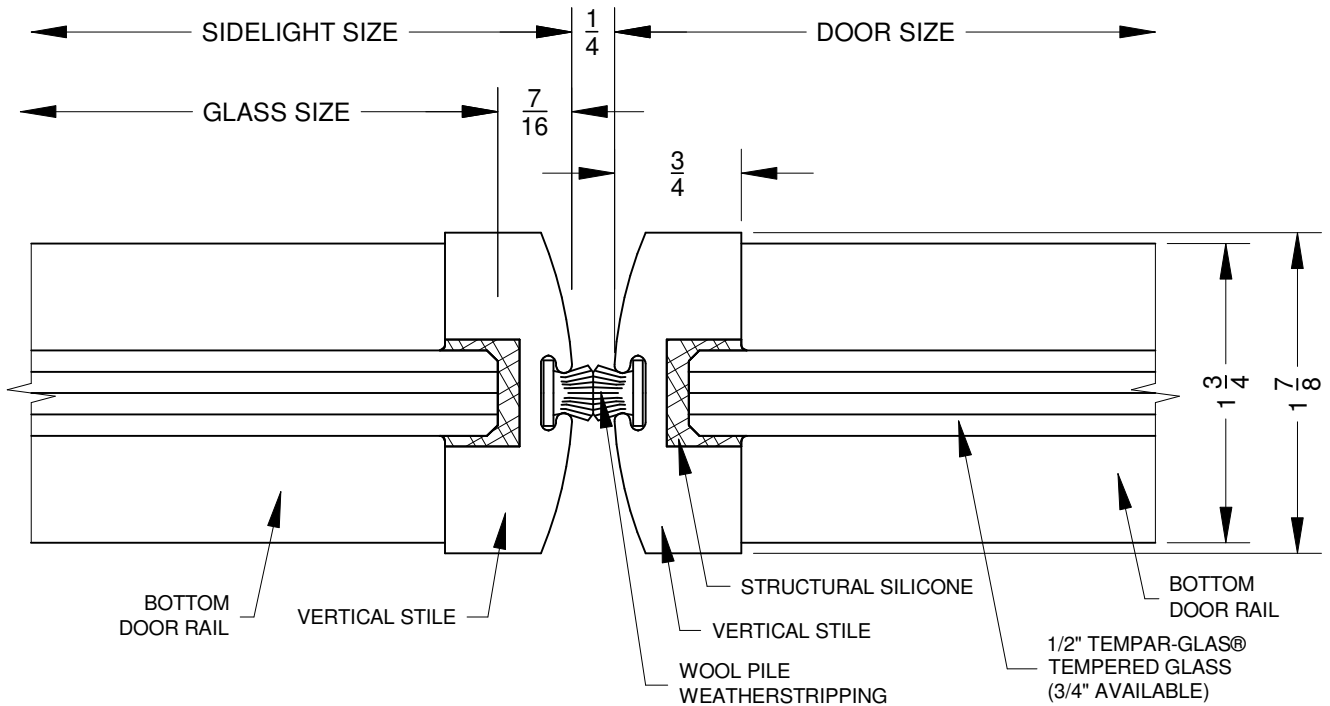


(A) - PLAN DETAIL AT SIDELIGHT W/OUT STILE



(B) - PLAN DETAIL AT SIDELIGHT WITH STILES